

无刷直流减速电机

BRUSHLESS DC REDUCTION MOTOR

L 型中空扁平 80 无刷直流减速电机

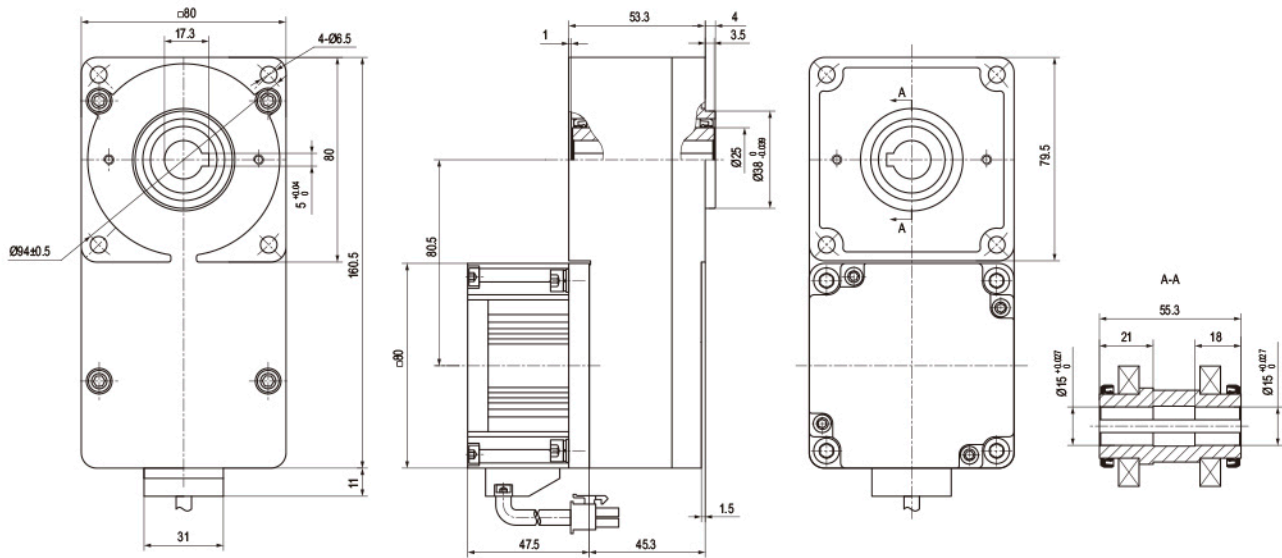
L-Type Hollow Flat 80 Brushless DC Reducer

60W 90W 120W

□ 80mm



电机外形图 Motor Dimensions



电机性能参数 Motor Performance Parameters

| 型号 Model | 额定功率 Rated Power | 电压 Voltage | 额定电流 Rated Current | 额定转速 Rated Speed | 额定力矩 Rated Torque | 长度 Length |
|------------|---------------------|---------------|-----------------------|---------------------|----------------------|--------------|
| | W | V | A | RPM | N.m | mm |
| G4BLD&4GFS | 60 | DC24 | 3.8 | 1800 | 0.32 | 47.5 |
| | | | | 2500 | 0.23 | |
| | | DC48 | 1.9 | 1800 | 0.32 | |
| | | | | 2500 | 0.23 | |
| | 90 | DC24 | 5.8 | 2500 | 0.34 | |
| | | | | 3000 | 0.29 | |
| | | DC48 | 2.8 | 2500 | 0.34 | |
| | | | | 3000 | 0.29 | |
| | 120 | DC24 | 7.2 | 1800 | 0.64 | |
| | | | | 3000 | 0.38 | |
| | | DC48 | 3.6 | 1800 | 0.64 | |
| | | | | 3000 | 0.38 | |

扭矩表 Gear Head-Torque Table (电机额定转速 1800r/min)

| 减速比 Gear Ratio | 5 | 10 | 15 | 20 | 30 | 50 | 60 | 90 | 100 | 130 | 200 |
|-----------------------------------|------|------|------|------|------|-------|-------|-------|-------|-------|-----|
| 输出轴转速 r/min Output shaft speed | 360 | 180 | 120 | 90 | 60 | 36 | 30 | 20 | 18 | 13.85 | 9 |
| 允许负载 N·m Allow load | 60W | 1.16 | 2.32 | 3.49 | 4.65 | 6.97 | 11.62 | 13.94 | 20.91 | 23.24 | 25 |
| | 90W | 1.74 | 3.49 | 5.23 | 6.97 | 10.46 | 17.43 | 20.91 | 25 | 25 | 25 |
| | 120W | 2.32 | 4.65 | 6.97 | 9.30 | 13.94 | 23.24 | 25 | 25 | 25 | 25 |